

Exhaust hoses



discom

EXHAUST TECHNOLOGY

Solutions for a **better world**

Exhaust hoses

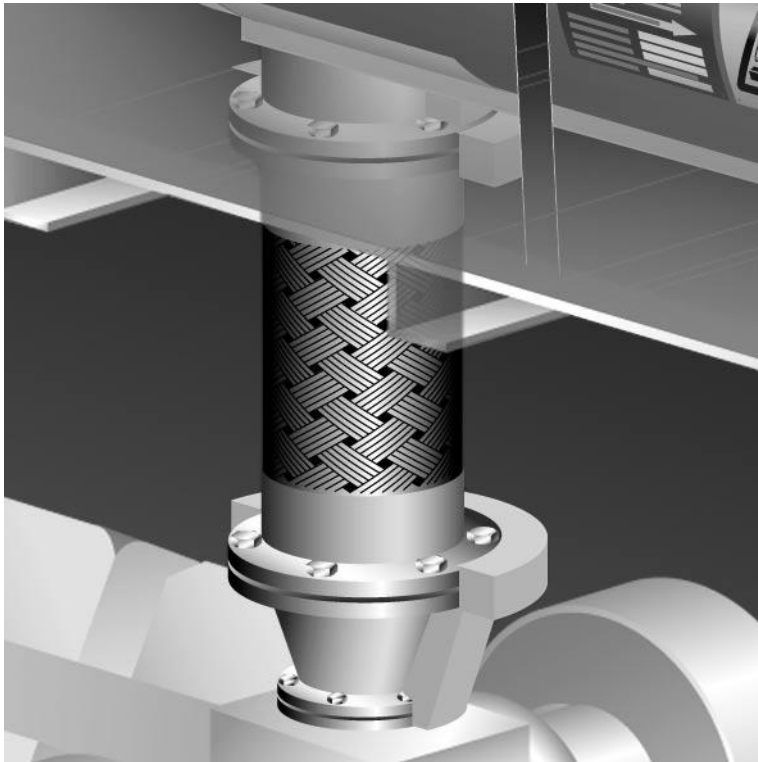
In situations where large movements are necessary the application of an exhaust hose may be a solution.

In many instances this is the case for 1, 2 or 3 cylinder engines where “movements” of the engine in relation to the exhaust system may be rather large, especially during starting or stopping. Also when mounting in line of an exhaust system in relation to the manifold would be a problem, an exhaust hose might be the answer.

The Discom range includes a series of exhaust hoses which are extremely reliable when installed correctly and have a long life.

Mounting

When mounting exhaust hoses, the minimum bending radius must be considered.



Technical specifications

Bellow	parallel corrugated metal hose, material stainless steel 321
Braiding	single wire braiding, material stainless steel 304
Weld ends	standard S235 JR
Design conditions	according to ISO 10380 flexibility class 1
Optional	fixed or rotating flanges, mild steel or Stainless steel weld ends, Stainless steel various sizes

Dimensions

ND	ØA (mm)	L1 (mm)	L2 (mm)	C (mm)	min. radius R (mm)	max. offset M (mm)
25	33,7	300	45	2,6	200	7
32	42,2	300	45	2,6	250	6
40	48,3	300	45	2,6	250	6
50	60,3	400	45	2,9	350	9
65	76,1	400	45	2,9	410	7
80	88,9	500	45	3,2	450	12
100	114,3	500	45	3,6	560	12
125	139,7	500	45	3,6	710	8
150	168,3	500	45	3,6	815	7

Different sizes on request

