

Supports SR



discom

EXHAUST TECHNOLOGY

Solutions for a **better world**

Supports S-series

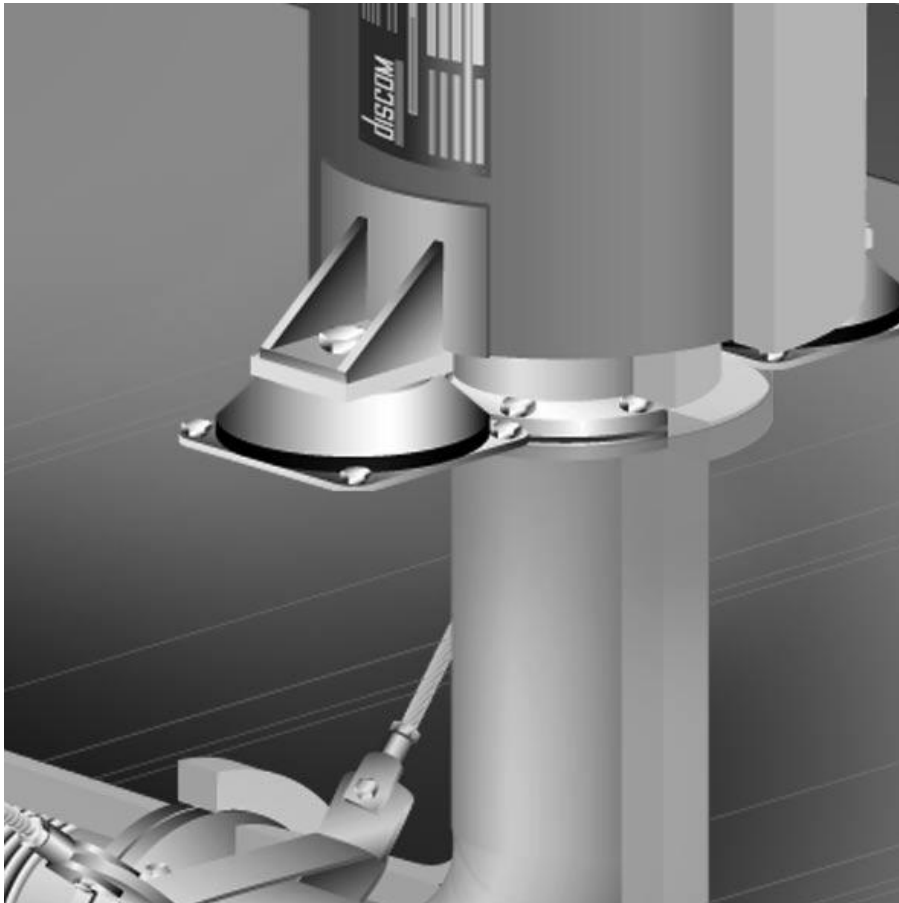
Application

The S-series are designed to support the exhaust system. The support points are able to absorb both horizontal and vertical loads.

Technical data

Usually suspension points of the S-series of various types and for various loads are available from stock. Within the vast assortment it is virtually always possible to find the right support you need, suitable for loads varying from 250 to 14,000 N per support point.

All supports are supplied with tear off safety. Thermal insulation blocks are mounted to prevent heat transfer from the hot system to the rubber vibration absorbers. Some compression is necessary for optimal operation of the vibration absorbers. It is therefore recommend to select support points for the permanent allowable load.



Mounting

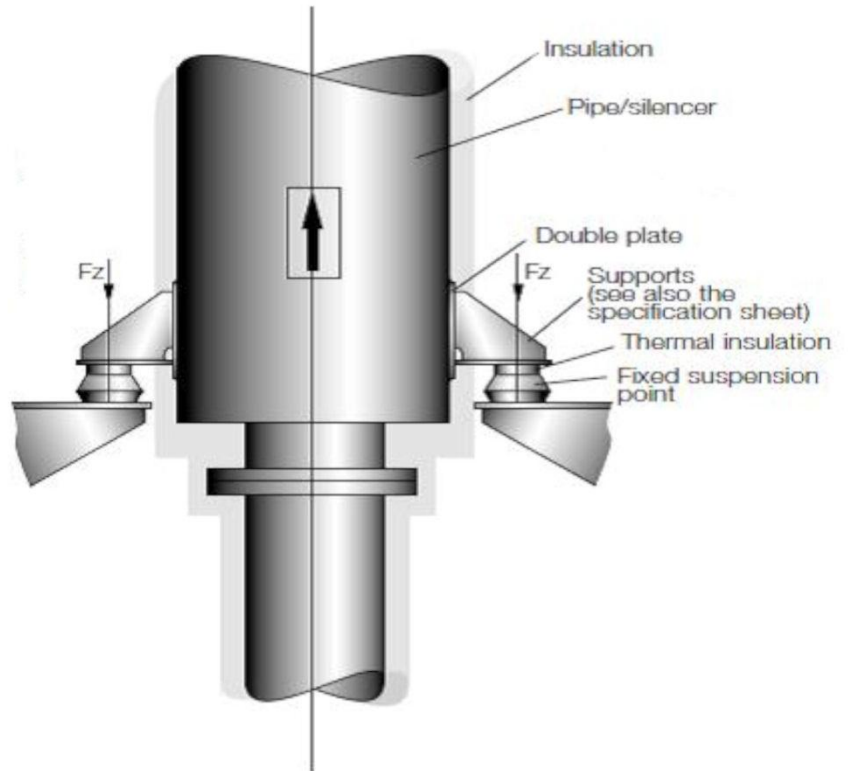
The suspension points of the S-series are designed to support exhaust systems. They are able to absorb both vertical and horizontal loads. Lateral motions are absorbed by means of slotted holes. The number of fixed suspension points to be fitted depends on type and purpose.

Mounting principle: vertical application

Fixed support point

Remarks

- On the silencer or pipe at the location of the supports a double plate must be fitted.
- The supports and the foundation where the suspension points are fitted must be as rigid as possible.



Mounting principle: horizontal set-up

Fixed support point

